



The Geological Society

serving science & profession



# Western Regional Group

## Ground behaviour during tunnel excavation

**Dr Benoît Jones**  
**BEMO Tunnelling UK**

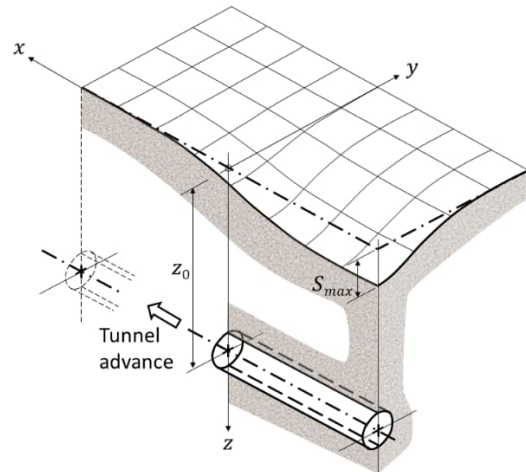
Tuesday 20<sup>th</sup> October 2026

**Hybrid Talk:** Starts at 6:30pm (see below for details)

The Western Regional Group is pleased to welcome Dr Benoît Jones of BEMO Tunnelling UK who will talk about ground behaviour during tunnel excavation in soft ground. Benoît will use case studies to show how the in situ stresses and pore pressures are altered by an advancing tunnel, and how this affects ground movements and lining stresses in the short and long term. By using a range of surface and subsurface instrumentation and monitoring methods, we can obtain a conceptual model of ground behaviour, depending on ground type and construction method.



*Simultaneous excavation of an enlargement and breakout of a pilot tunnel at King's Cross, 2007.*



*Empirical model of surface settlements above an advancing tunnel (based on a figure in Attewell, Yeates & Selby (1986)).*

Dr Benoît Jones is the author of the first ever comprehensive textbook on soft ground tunnel design, titled *Soft Ground Tunnel Design*, published in 2022. Benoît has worked as a tunnel designer, contractor, consultant, and for 5 years from 2011 he set up and ran the MSc in Tunnelling and Underground Space at the University of Warwick. He is a Chartered Civil Engineer and Member of the Institution of Civil Engineers, and a Fellow of the Geological Society.

Benoît has written more than 60 articles and papers and has won several awards including the ICE Crampton Prize, the ICE Telford Premium, an ITA Award and three NCE Tunnelling Awards including one for 'Outstanding Contribution to the Industry'.

**Hybrid Event;** When: 20<sup>th</sup> October 2026 at 6:30 PM (room opens at 6pm), at The Hub, 500 Park Ave, Aztec W, Almondsbury, Bristol BS32 4RZ. **Non-members welcome.**

**Zoom Details:** Zoom "room" opens from 6:15pm. Zoom Link:

<https://us02web.zoom.us/j/83760358476?pwd=kHJF6Nw7bD7hTe6pmBSFiswICMO9Ho.1>

**e-mail**

Get in touch

[westernregionalgroup@gmail.com](mailto:westernregionalgroup@gmail.com)

**www**

Find us on the web

[www.geolsoc.org.uk/wrg](http://www.geolsoc.org.uk/wrg)



Connect on LinkedIn

[WRG ID: 2670120](https://www.linkedin.com/company/wrg)



Follow us on Twitter

[@WRG\\_GeolSoc](https://twitter.com/WRG_GeolSoc)